

— 视觉设计 13957997063 —

MEISHUO

PLASTIC
PRODUCTS

www.meishuopack.com



浙江省义乌市美硕塑胶制品有限公司

ZHEJIANG YIWU MEISHUO PLASTIC PRODUCTS CO., LTD

地址 (Add): 浙江省义乌市上溪镇吴晗路18号

Add: No.18 Wuhan Road, Shangxi Town, Yiwu, Zhejiang, China

电话 (Tel): 0086-579-85262915

传真 (fax): 0086-579-85262915

www.meishuopack.com



MEISHUO PLASTIC PRODUCTS CO., LTD

PLASTIC INDUSTRY





公司简介

Company Profile

浙江省义乌市美硕塑胶制品有限公司,是一家经济实力雄厚、技术先进、业绩优良的集科技研发、设计制造一体化服务的现代化化妆品制造企业。公司一直致力于化妆品包装设计和制造,同时拥有专业的产品研发队伍,能自主研发产品,同时也拥有完善的管理团队。主要经营有:口红管、粉饼盒、眼影盒、唇彩管、睫毛瓶、眼影瓶等系列产品。公司产品远销海内外,受到广大客户的认可。

公司秉承“诚信、创新、感恩、共赢”的企业精神,以“科技为本,质量求胜”的企业宗旨,全面贯彻“服务客户、精准求实、诚信共享、创业创新”的经营理念。愿以满意的质量,合理的价格,优质的售后服务,满足国内外不同客户的需求。热忱的欢迎海内外广大客户莅临视察,洽谈业务,携手并进,共创辉煌。

美硕与您携手同行,共创美好明天!

Well-funded, technically advanced and excelling in performance, Zhejiang Yiwu Meishuo Plastic Products Co., Ltd., is a modern manufacturer specialized in the technical R&D and manufacture of cosmetic products. The company is always dedicated to the design and manufacture of cosmetic product packages and at the same time its professional product R&D team enables it to develop its own products. Also it owns a well-rounded management team. It mainly produces and markets lipstick tubes, powder boxes, eye shadow boxes, lip gloss tubes, eyelash grower vials, and eye shadow vials, etc. The products of the company are sold both at home and far abroad and are widely recognized by the customers.

In the spirit of “honesty, innovation, gratitude and win-win”, following its tenet of “based on technology and winning with high quality” and fully implementing the business philosophy of “serving the customer, accurate and down-to-earth, honest and sharing, enterprise and innovation”, the company is eager to work with all customers, satisfying their demand with high quality, reasonable price and considerate after-sales service. We passionately welcome you, whether you are based in China or overseas, to come to visit us so that we can cooperate to achieve a brighter future.

Meishuo is ready to accompany you on the way toward greater successes.



公司具有一流的研发团队和技术人才，并引进国际先进的生产设备和检测仪器

Our company has a very good research and development team, also build up a world leading product-developing center with advanced production line and testing machine

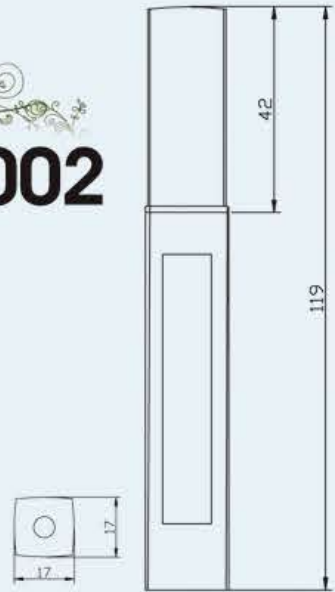


PRODUCTION WORKSHOP





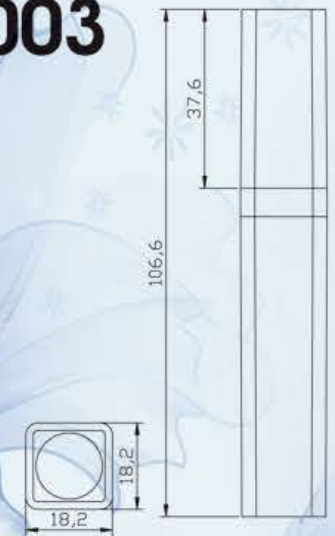
MS-2002



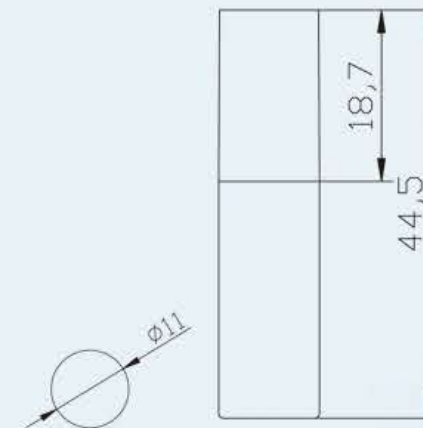
MS-2004



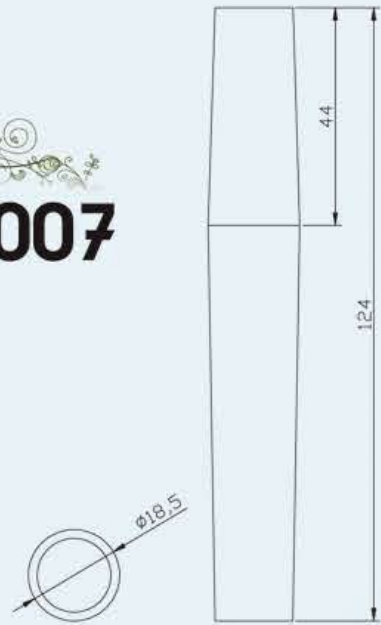
MS-2003



MS-2006



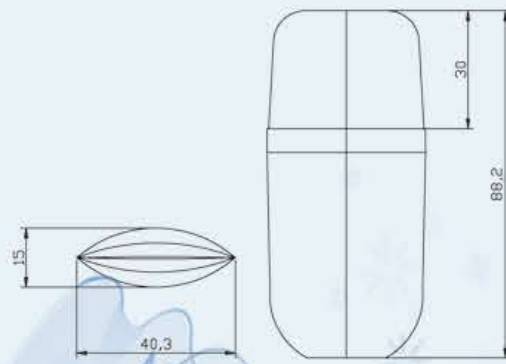
MS-2007



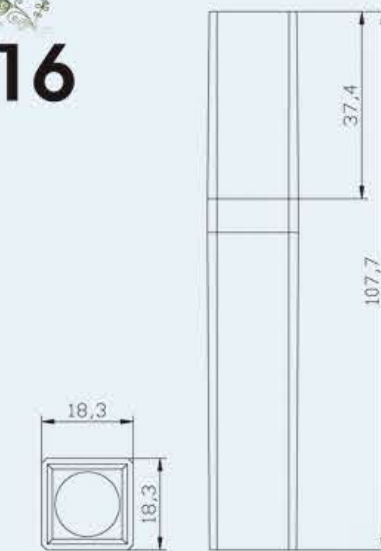
MS-2012



MS-2008

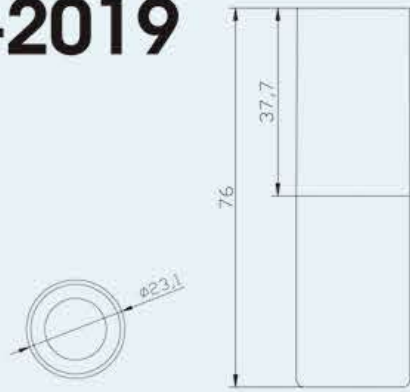


MS-2016

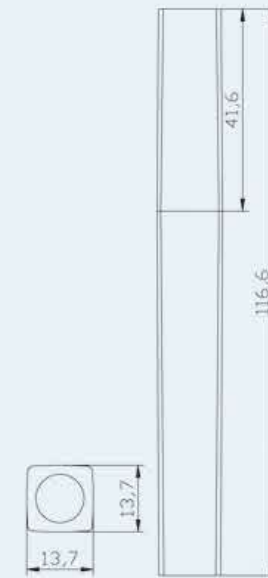




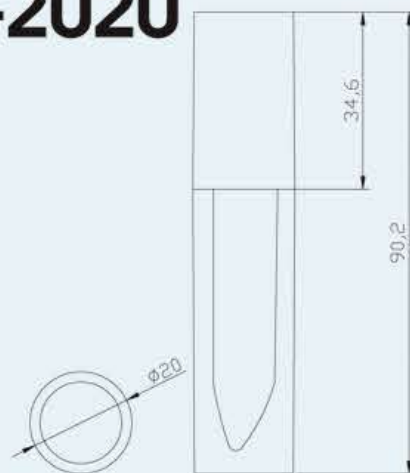
MS-2019



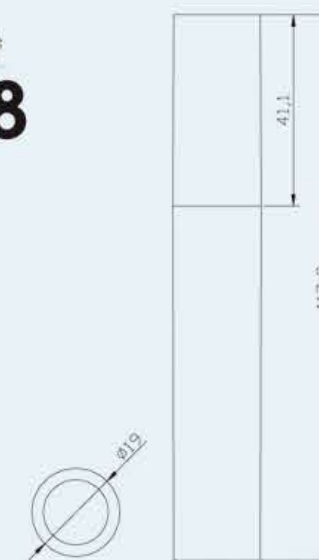
MS-2026



MS-2020



MS-2028



MS-2029



MS-3003



MS-3002

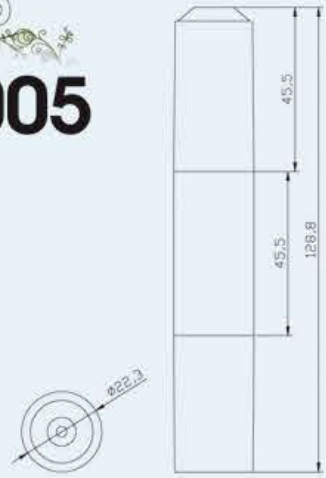


MS-3004

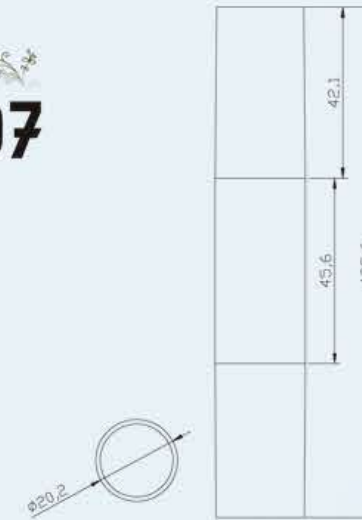




MS-3005



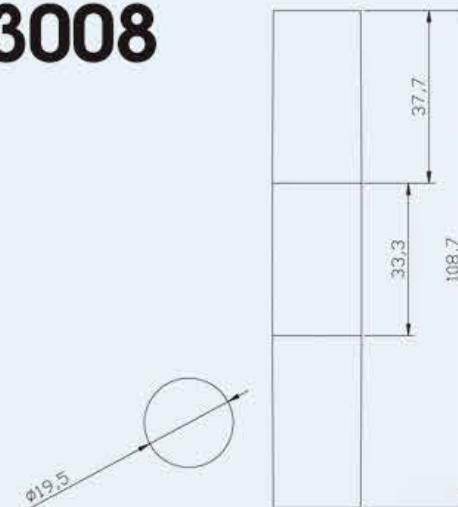
MS-3007



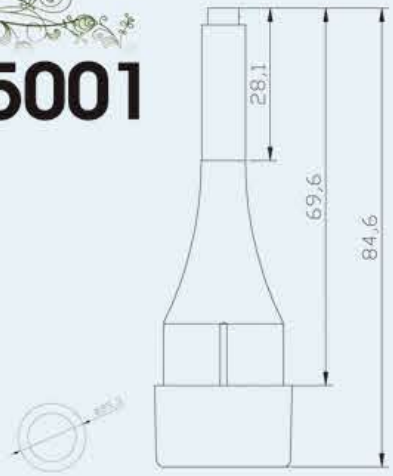
MS-3006



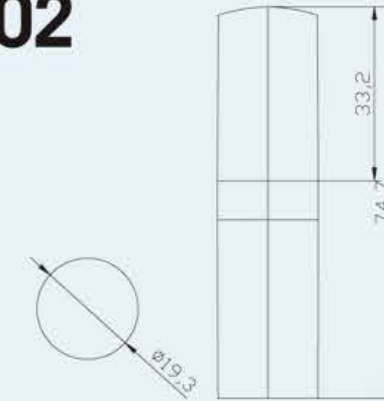
MS-3008



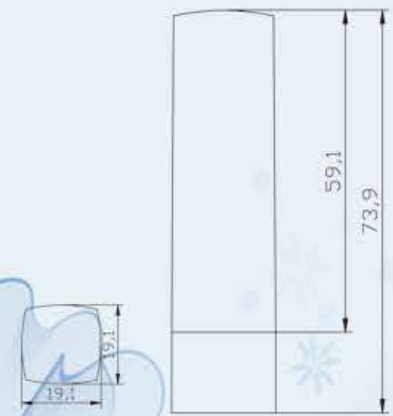
MS-5001



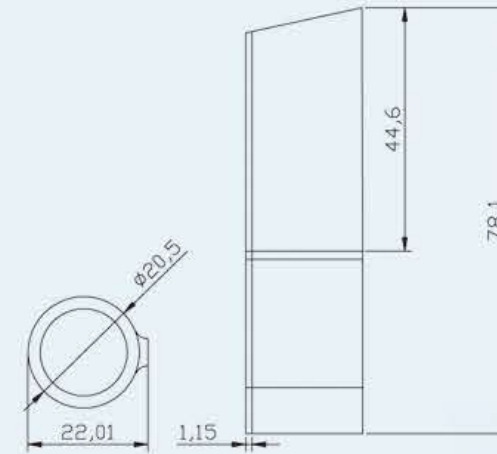
MS-6002



MS-6001

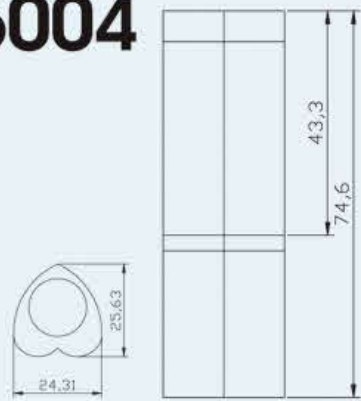


MS-6003

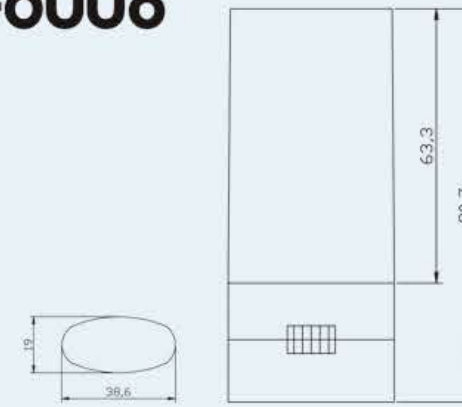




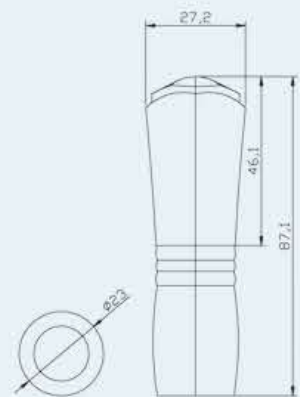
MS-6004



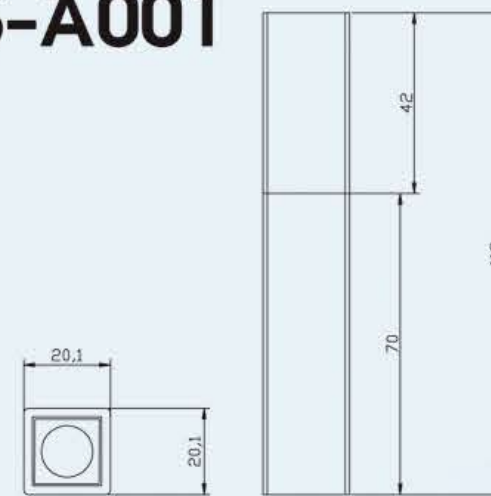
MS-6008



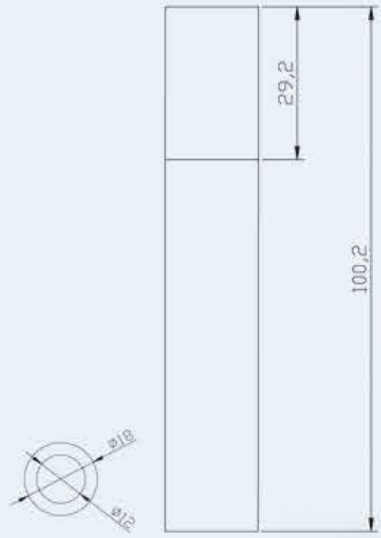
MS-6006



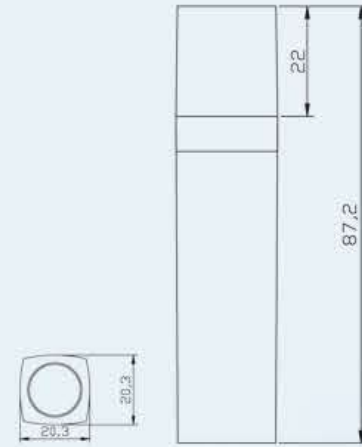
MS-A001



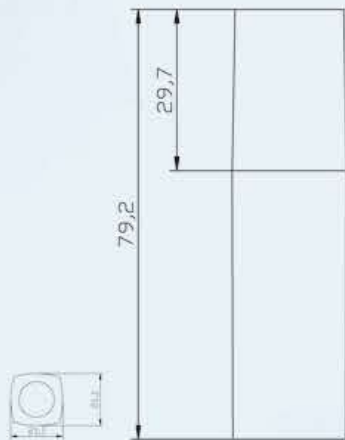
MS-A03



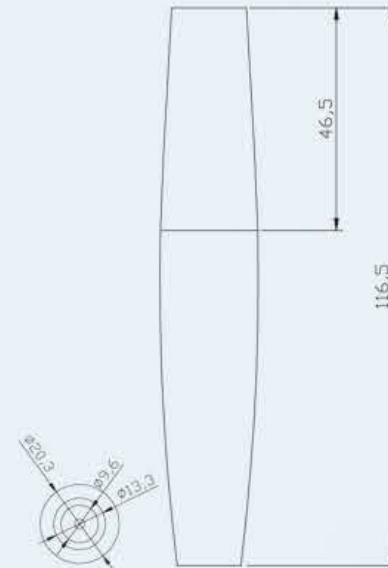
MS-A05



MS-A04



MS-A06

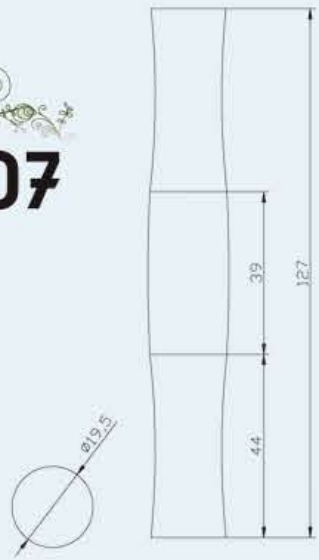


MEISHUO

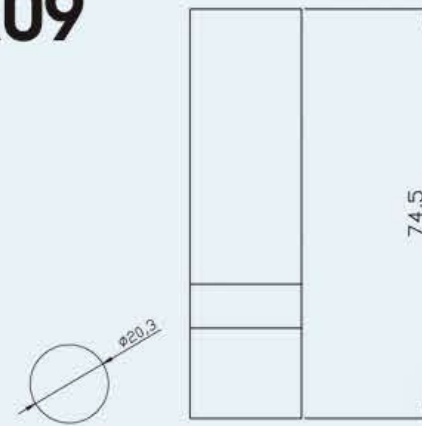
PLASTIC PRODUCTS



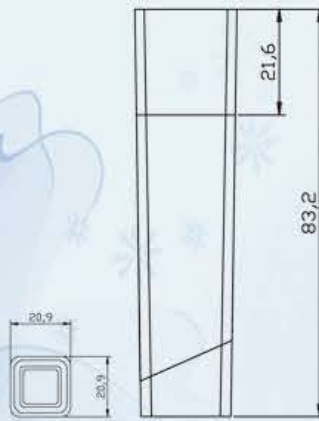
MS-A07



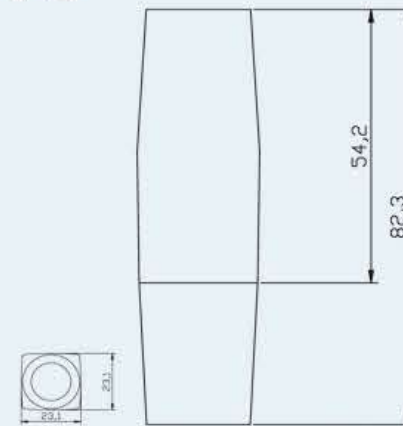
MS-A09



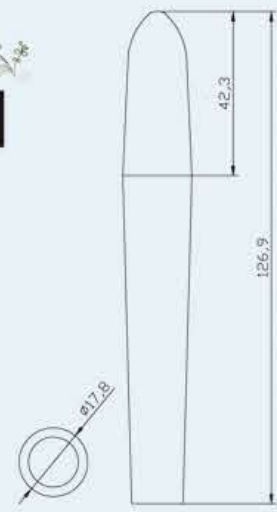
MS-A08



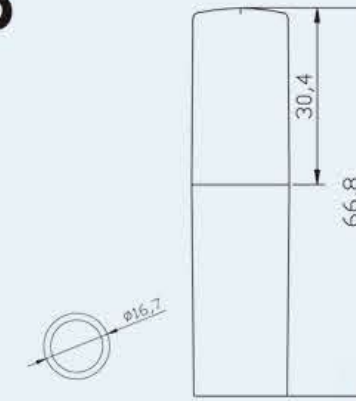
MS-A10



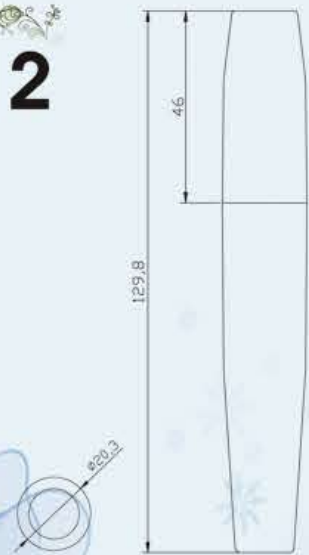
MS-A11



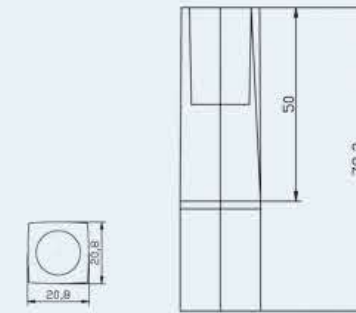
MS-A13



MS-A12

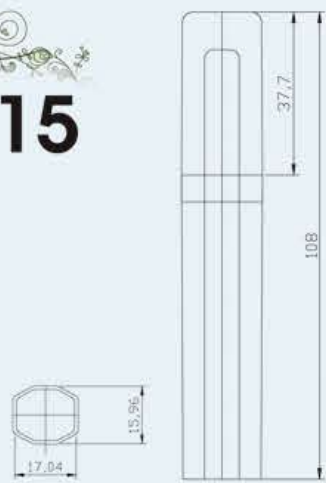


MS-A14

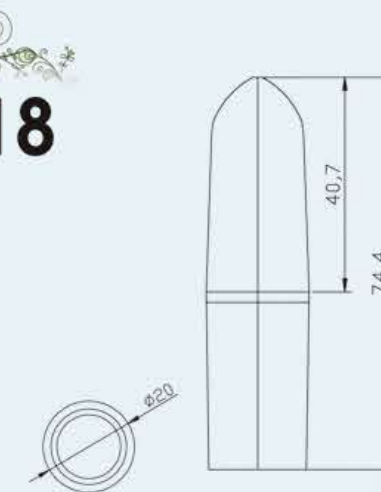




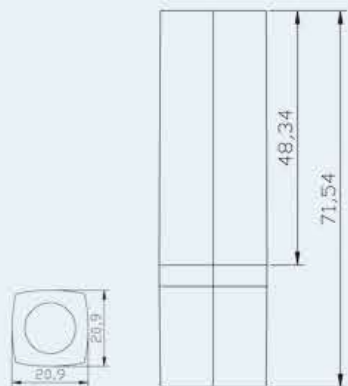
MS-A15



MS-A18



MS-A16



MS-A19



